

PRODUCT

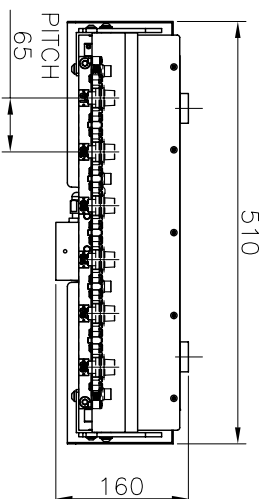
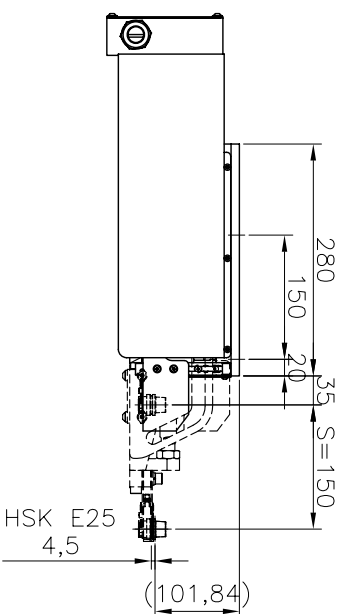
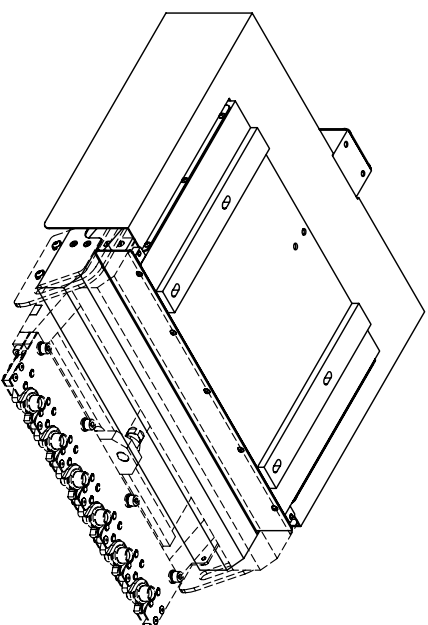
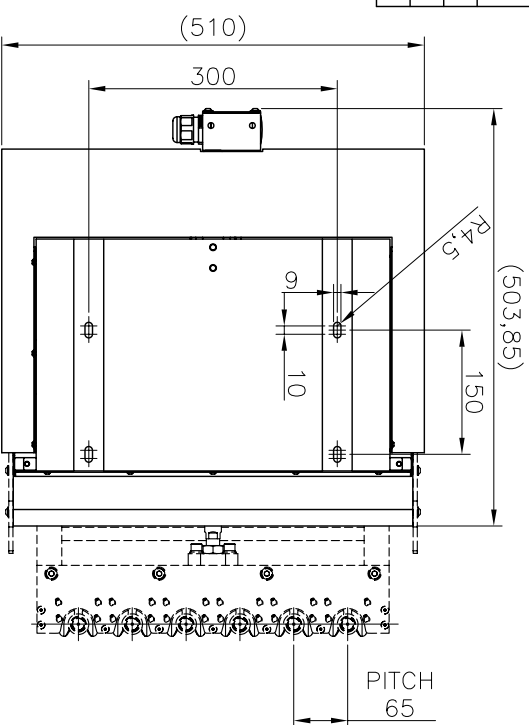
Bracket

Model

BKSC62F-01

~PRODUCT SPECIFICATION~

| | |
|---|--------------------------|
| Model NO | HSK E25 |
| Tool Magazine Capacity | 6 Tools |
| Max. Tool Length | 55mm |
| Max. Tool Diameter (with adjacent pocket occupied) | ∅ 50mm(All pockets full) |
| Max. Tool Weight | 500 g |
| Tool Magazine Weight | kg |
| Air cylindr's pushing time | 1-2sec |



浮動量=1mm



SANJET INTERNATIONAL CO.,LTD

Date 2012/10/06

Sheet No.